

XA-201

Class B Automatic Identification System



Features

- Tested and approved by BSH, CE RED certified.
- Meet the IEC 62287-1; IEC 61108-1; IEC 61162-1; IEC 60945; ITU-R M.1371-5; IMO.A.694(17) standards.
- Built-in WIFI and Bluetooth get AIS information by Phone APP.
- Built-in dual-mode high-precision positioning module (BDS and GPS), providing stable and reliable positioning accuracy.
- Built-in buzzer providing audible alerts for the device's operational status.
- IP67 waterproof rating.
- Wide voltage, floating ground power design for enhanced stability and reliability.
- Support NMEA-2000 and NMEA-0183.

Specifications

Connection Interface	
GNSS Antenna Connector	BNC
VHF Antenna Connector	SL16 (Female)
NMEA0183	4 ports data interface, including 3 ports output, 1 ports input
NMEA2000	Support GNSS, AIS data transmission
Power Connector	Support external power supply; external alarm

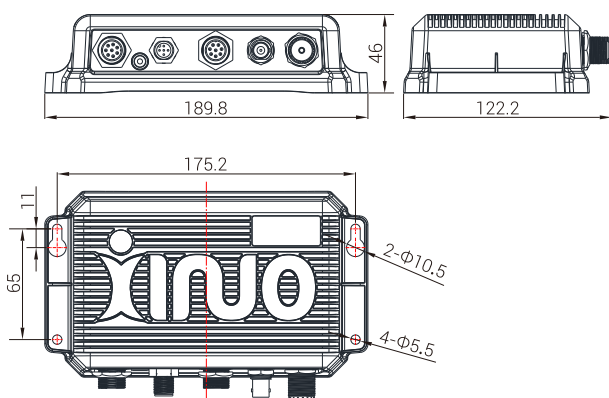
GNSS		
GNSS Receiver	72 channels	
Receive Frequency	GPS L1 1575.42MHz, BDS B1 1561.098MHz	
Accuracy	GPS&BDS	2.5m (CEP50% open sky)
	GPS	5m (CEP50% open sky)
	BDS	5m (CEP50% open sky)
Speed Accuracy	0.1M/S (50%@10M/S)	
Time to First Fix	Cold Start <30s, Hot Start <1s	
Coordinate Systems	WGS-84 (and others)	

Standards	
IEC 62287-1; IEC 61108-1; IEC 61162-1; IEC 60945; ITU-R M.1371-5; IMO.A.694(17)	

AIS Class B	
Frequency	156.025~162.025MHz
Bandwidth	25KHz
Modulation	GMSK / FM
Data Rate	9600bps
Number of AIS transmitter	1
Number of AIS Receiver	2 (Contains A and B channels)
AIS Channel A(default)	CH87B(161.975MHz)
AIS Channel B(default)	CH88B(162.025MHz)
TX Power Output	2W / 5W
Protocol	CSTDMA
RX Sensivity	≤ -112dBm @ 20% PER

Enviromental	
Working Temperature	-15°C~+55°C
Waterproofing	IP67
Power Supply	DC12V/DC24V

Installation Dimensions (Unit, mm)



Weight, 0.5kg

System Connection Diagram

